



PROJECT		REF		REV	ITEM CODE	
LOCATION		DATE			PAGE	

## SANITARY WARE SPECIFICATION SHEET

<p><b>Item Descriptions</b></p> <p><b>Dimensions</b></p> <p><b>Model</b></p> <p><b>Finish</b></p> <p><b>Country of origin</b></p> <p><b>Manufacturer</b></p> <p><b>Supplier</b></p> <p><b>Contact Tel/Fax</b></p> <p><b>E-mail</b></p> <p><b>Website</b></p>	<p>GROHE (Germany) "Atrio" Chrome plated thermostatic shower mixer for 2 outlets with integrated shut off/diverter valve</p> <p>L158 x W43 x H158 mm</p> <p>24135003 (Thermostat shower mixer) 35600000 (Mounting box)</p> <p>Chrome Plated</p> <p>Germany</p> <p>GROHE Limited</p> <p>Acme Sanitary Ware Co. Ltd Mr. Eric Wong/ Mr. Don Yuen</p> <p>(852) 2388-7171 / (852) 2710-8012 acme@acmesanitary.com.hk www.acmesanitary.com.hk</p>	<p><b>Illustration/ Drawing</b></p> <p><b>Thermostatic shower mixer for 2 outlets with integrated shut off/diverter valve</b></p> <ul style="list-style-type: none"> <li>· set for final installation for</li> <li>· GROHE Rapido SmartBox 35 600 000</li> <li>· <b>GROHE TurboStat</b> compact cartridge with wax thermoelement</li> <li>· <b>GROHE StarLight</b> chrome finish</li> <li>· wall escutcheon with <b>GROHE QuickFix</b> (covered escutcheon- and shaft sealing, covered fixing)</li> <li>· metal escutcheon, retroactively 6° adjustable</li> <li>· printed head and hand shower symbol</li> <li>· <b>GROHE SafeStop</b> safety button at 38°C ( <b>calibration required</b> )</li> <li>· <b>GROHE SafeStop Plus</b> optional temperature limiter at 43°C or 46°C included</li> <li>· GROHE AquaDimmer, integrated shut off/diverter valve</li> <li>· metal handles</li> <li>· flow performance: outlet B = 27 l/min outlet C = 30 l/min</li> <li>· <b>without roughing-in-set</b></li> </ul> <p><b>GROHE Rapido SmartBox</b></p> <ul style="list-style-type: none"> <li>· Universal rough-in box, 1/2"</li> <li>· 3 outlets 1/2"</li> <li>· 2 inlets below, 1/2"</li> <li>· installation depth 75-105 mm</li> <li>· connection unit in DR brass</li> <li>· pre-mounted flushing plug</li> <li>· stable build-in box and protective cover</li> <li>· fixing options for solid walls and dry cladding</li> <li>· gasket</li> <li>· without set for final installation</li> </ul> <p><b>Colour options:</b></p> <ul style="list-style-type: none"> <li>● 003   StarLight Chrome</li> <li>● DC3   SuperSteel</li> <li>● DA3   Warm Sunset</li> <li>● A03   Hard Graphite</li> <li>● AL3   Brushed Hard Graphite</li> <li>● GL3   Cool Sunrise</li> <li>● GN3   Brushed Cool Sunrise</li> <li>● DL3   Brushed Warm Sunset</li> <li>● BE3   Polished Nickel</li> <li>● EN3   Brushed Nickel</li> </ul>
--	---	--

Note: [GROHE Atrio](https://www.youtube.com/watch?v=ocWw1NWOH88) https://www.youtube.com/watch?v=ocWw1NWOH88

[Rapido SmartBox | Installation Video](https://www.youtube.com/watch?v=KsWdVrq9fVI) https://www.youtube.com/watch?v=KsWdVrq9fVI

\* All information of the above is for the reference only. No prior notice is made if any changes.



PROJECT		REF		REV	ITEM CODE	
LOCATION		DATE			PAGE	

## SANITARY WARE SPECIFICATION SHEET

# GROHE ATRIO

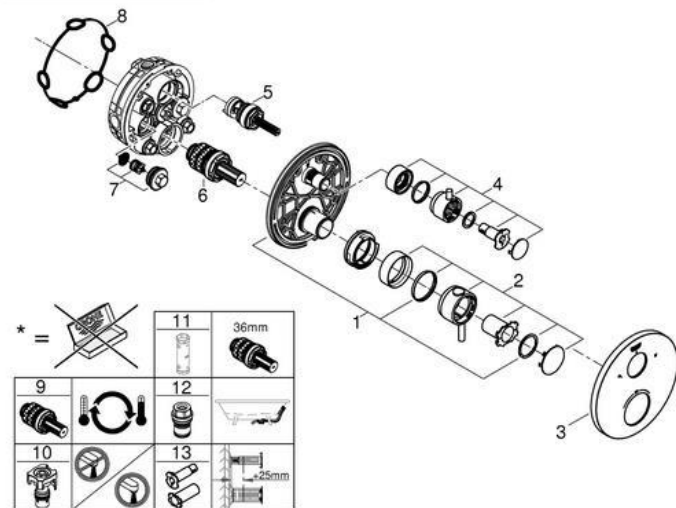
### THE ICON OF ELEGANCE AND PRECISION

Consider the circle. A staple of natural geometry. A pure form at once soothing and dynamic. A visual metaphor for both, completeness and eternity. For its Atrio collection GROHE draws on this most elemental and elegant form to create an iconic object that is built to last.

The Atrio collection means design without restrictions. Each item is available in various finishes and size options to meet all demands of personal taste and different design schemes.



### SPARE PARTS



Pos.-nr.	Prod. description	Order-nr.
1	Mounting plate	49080000
2	Temperature control handle	49089000
3	Escutcheon	49074000
4	Shut-off handle Aquadimmer	49090000
5	Aquadimmer	49084000
6	Thermostatic compact cartridge 3/4"	49028000
7	Non-return valve	49085000
8	Seal	48360000
9	GROHE TurboStat cartridge 3/4"	49003000*
10	Service stops	1405300M*
11	Socket spanner	49059000*
12	Backflow protection combination (EN1717)	14055000*
13	Universal extension set 2-handle thermostats, 25 mm	14058000*

Note:

\* All information of the above is for the reference only. No prior notice is made if any changes.



Waterworks Department

道七號入境事務大樓 48 樓

48/F Immigration Tower, 7 Gloucester Road, Wan Chai, Hong Kong

本署檔號 : (4) in WSD 3321/2020 T/J(1399/2020)  
Our ref.  
來函檔號 :  
Your ref.

電話 :  
Tel.  
傳真 : 2824 0578  
Fax.

4 January 2021

Dear Sir,  
Reference is made to your letter of 28 October 2020 and 3 December 2020 respectively.

### Approval of "GROHE" Thermostatic Mixer (General Acceptance No. C20210006)

Your letters ref. WRC/2363 and C-WSD/0681 dated 28 October 2020 and 3 December 2020 respectively refer.

Having considered the test report ref. J25639 issued on 19 October 2020 by Nutek Systems (HK) Ltd., this Authority accepts that the fitting described below complies with, and its use when correctly installed does not contravene, the Waterworks Ordinance and Regulations.

**Name of Manufacturer:** Grohe AG  
**Country of Origin:** Germany  
**Brand:** Grohe  
**Details of Fitting:** 1/2" Thermostatic mixer  
**Model:** 35600000 + 24135XX3  
(where the digits "XX" denote the code of colour)  
**Body Markings:**   
**Expiry Date:** 6 October 2025



This Authority hereby permits the use of the above fitting in fresh water plumbing systems subject to full adherence to Waterworks installation requirements. In particular, you are required to draw your customers' attention to the following requirement-

“The cold water supply to the fitting shall be drawn from the same source that supplies the hot water apparatus so as to provide a balanced pressure and to obviate the risk of scalding in the event of a restriction or failure in the water supply.”

A condition of this acceptance is that the fitting to be installed shall be replicas of the sample as certified by the testing agent mentioned above and without modifications. This acceptance may be withdrawn at any time if the standard of the fitting installed fails to meet that of the approved sample or if the fitting is found to be unsuitable for use in fresh water plumbing systems.

This acceptance is only applicable to the main body of the fitting, unless other specified.

For the use of the fitting in any project, the General Acceptance Number of this letter must be quoted as a means of identification of acceptance of the fitting by this Authority.

Should you have any enquiries, please contact our Engineer Mr. Terry KUNG at tel. no. 3583 4086.

Yours faithfully,



(CHAN Chung-kun)

for Director of Water Supplies

Encl.

c.c. WSD 3321/1/82 ] - without catalogue  
ME/MC ] - with soft copy only